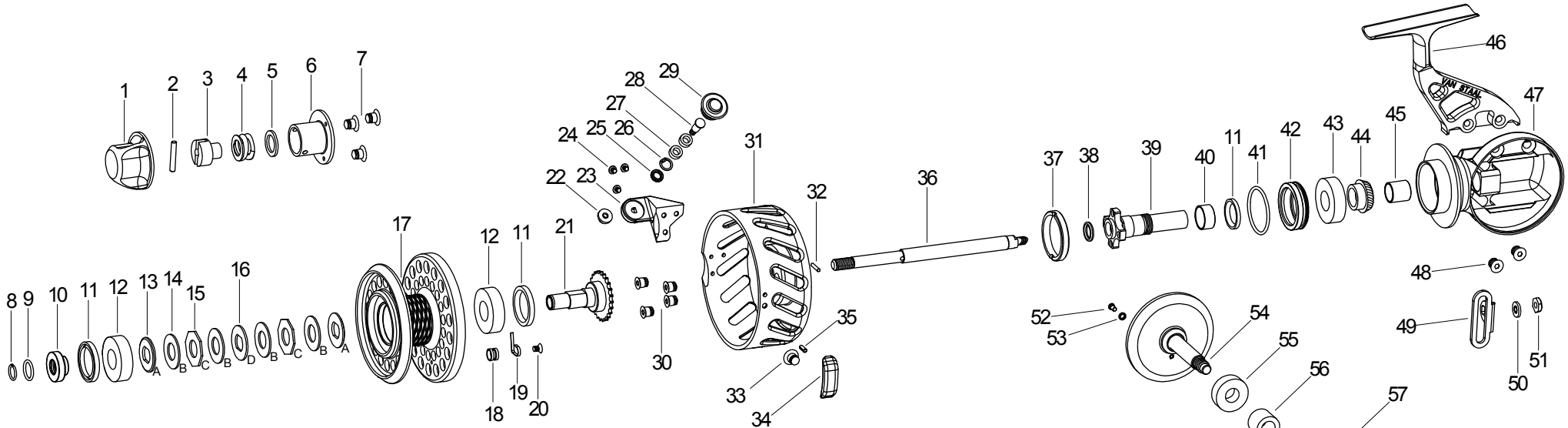


# VS275/VS300 Component Diagram



#	Part Name	Part No. (VS275/VS300)	#	Part Name	Part No. (VS275/VS300)	#	Part Name	Part No. (VS275/VS300)
1	DRAG KNOB	SR3006	24	SCREW	SCBH1	47	HOUSING	SR2000/SR3000
2	PIN	SR3042	25	WASHER SEAL	SR3025	48	HEX SCREW	SCFH5/SCFH4
3	SPRING GUIDE	SR3027	26	RETAINING RING	RR11	49	TRAVERS GUIDE	SR2017/SR3017
4	SPRING	SR3034	27	RADIAL BEARING	BGRS1	50	LOCK WASHER	WSLCIT1
5	WASHER	SR3090	28	LINE ROLLER SPINDLE	SR3021P	51	HEX NUT	NTHX1
6	INNER SLEEVE	SR3026	29	LINE ROLLER	SR3020	52	SPINDLE	SR2023/SR3023
7	SCREW, 0-80	SCFH1	30	SCREW	SCFH3	53	ROLLER	SR2022/SR3022
8	RETAINING RING	SR3041	31	FLYER	SR2751/SR3001	54	MAIN GEAR	SR2009/SR3009
9	O-RING	ORR3	32	ROLL PIN	PIRL2/PIRL9	55	RADIAL BEARING	BGR02
10	RETAINER	VSB2024P/VSB3024P	33	SCREW	SCFH1	56	CLUTCH BEARING	BGRC1
11	OIL SEAL	OSPR3	34	COUNTERWEIGHT	SR2776P/SR3059P	57	O-RING	ORR5/ORR2
12	RADIAL BEARING	BGRS3	35	ROLL PIN	PIRL1	58	COVER	SR2002/SR3002
13	BASE DRAG WASHER	SR3036	36	SHAFT	SR2010/SR3010	59	NEEDLE BEARING	BGND1
14	DRAG WASHER	SR3038	37	LOCK RING	SR2056P/SR3086P	60	OIL SEAL	OSPR2
15	OCT. DRAG WASHER	SR3039	38	QUAD-SEAL	ORQ2/ORQ1	61	HANDLE HUB	VSB3014/SR3014
16	SLOTTED DRAG WASHER	SR3037	39	SLEEVE GUIDE	SR2013/SR3013	62	HANDLE SCREW	SCSHC9
17	SPOOL	SR2753/SR3003	40	SLEEVE	SR2014/SR3088	63	HANDLE ARM	SR3005
18	CLICKER BASE	SR1057P	41	O-RING	ORR6/ORR4	64	KNOB BOLT NUT	SR3031P
19	CLICKER	SR1058P	42	SEAL CARRIER	SR2039/SR3072	65	HANDLE WASHER	SR2078
20	SCREW, 4-40	SCFH2	43	RADIAL BEARING	BGSR3/BGRS2	66	FLANGED BUSHING	SR3030
21	SPOOL HUB	VSB2040P/VSB3040P	44	PINION	SR2011/SR3011	67	CRANK KNOB	VSB3008/SR3008
22	SPINDLE NUT	SR3028P	45	BUSHING	SR2077/SR3016	68	BUSHING	SR3029
23	LINE ROLLER BRACKET	SR3019	46	FOOT	SR2754/SR3004	69	SHOULDER SCREW	SR2020P

